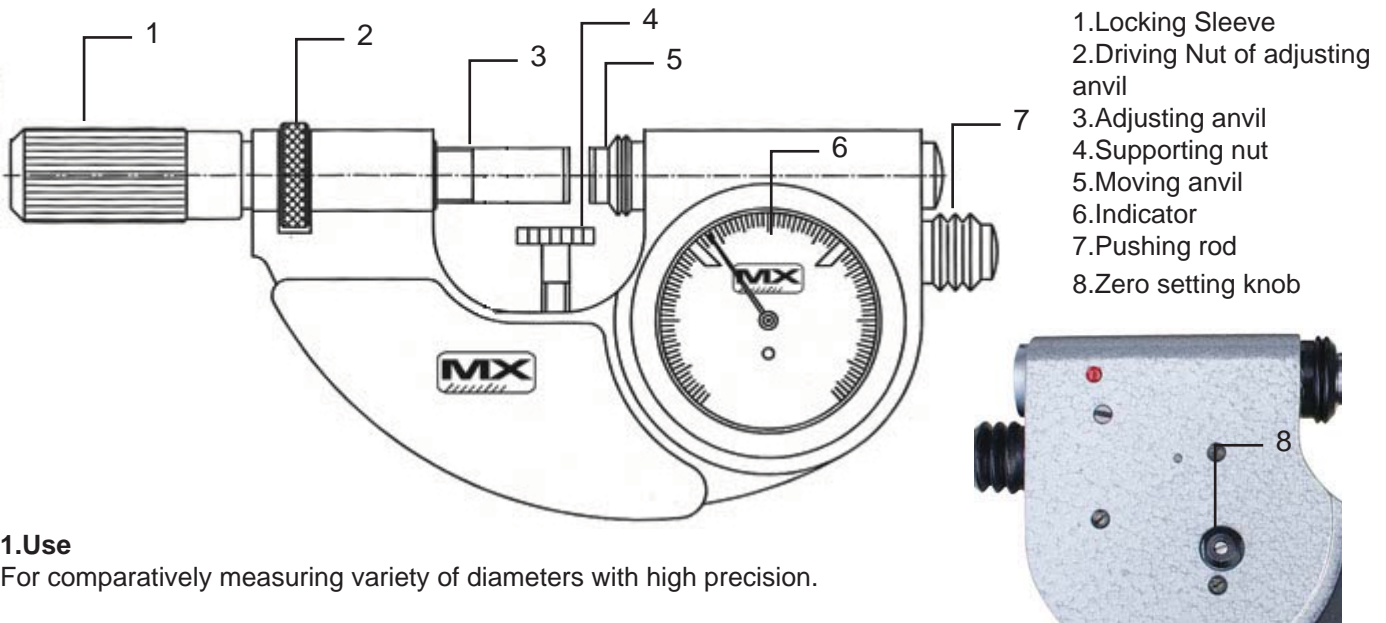


MeasumaX

INDICATOR SNAP MICROMETER

10-132, 10-133



1. Use

For comparatively measuring variety of diameters with high precision.

2. Zero Setting

Clean measuring faces of moving anvil [5] and adjusting anvil [3] with soft clothes or soft paper, then insert the setting standard (or gauge block) between the two measuring faces, rotate the driving nut [2] of adjusting anvil to contact them. Lock the locking sleeve [1], then adjust the zero setting knob [8] at the back of the indicator with screwdriver to make the indicating pointer and the zero line superposing. Pressing the pushing rod for several times, if there is a shift between the indicating pointer and the zero line, then reajust the zero setting knob till the indicating pointer and the zero line superposing.

3. Reading

If the work piece to be measured needs to be supported, set the support nut. Pressing the pushing rod gently to clamp the measured workpiece between the two measuring faces, the reading in the indicator is the difference between the measured workpiece and setting standard (or gauge block).



4. Precautions

Do not conuss the instrument.
Do not disassemble the instrument.
When adjust the zero setting knob, do not continuously rotate forcibly if meet resistance.
Keep the instrument clean and dry.
Return the instrument into the case after use
Apply antirust oil if the instrument is not to be used for a long period.

Specification.

Protection Level IP54.
Indicator Accuracy: 0.001mm
Dimension L: 28.5mm
Dimension D: 25mm
Measuring Force: 5-10N

